

EQUIP. TYPE R300A/URR EXP. NO.

COL. 540 7587 002

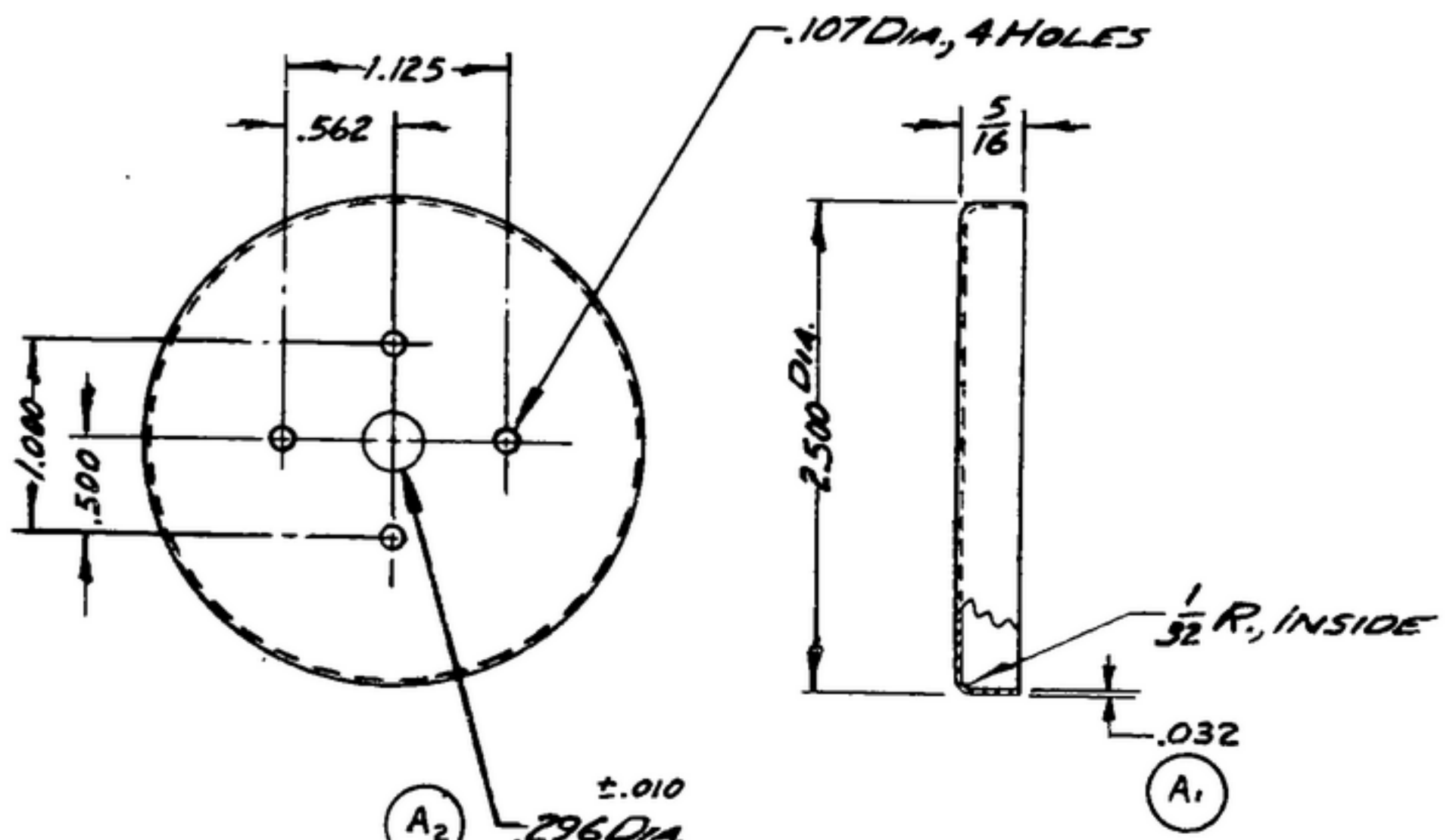
NOTICE: WHEN GOVERNMENT DRAWINGS, SPECIFICATIONS, OR OTHER DATA ARE USED FOR ANY PURPOSE OTHER THAN IN CONNECTION WITH A DEFINITELY RELATED GOVERNMENT PROCUREMENT OPERATION, THE UNITED STATES GOVERNMENT THEREBY INCURS NO RESPONSIBILITY FOR ANY OBLIGATION WHATSOEVER, AND THE FACT THAT THE GOVERNMENT MAY HAVE FORMULATED, FURNISHED, OR IN ANY WAY SUPPLIED THE SAID DRAWINGS, SPECIFICATIONS, OR OTHER DATA IS NOT TO BE REGARDED BY IMPLICATION OR OTHERWISE AS IN ANY MANNER LICENSES THE HOLDER OR ANY OTHER PERSON OR CORPORATION, OR CONVEYING ANY RIGHTS OR PERMISSIONS TO MANUFACTURE, USE, OR SELL ANY PATENTED INVENTION THAT MAY IN ANY WAY BE RELATED THERETO.

THIS DOCUMENT HAS BEEN PURCHASED BY THE GOVERNMENT AND MAY BE REPRODUCED AND USED IN CONNECTION WITH ANY GOVERNMENT PROCUREMENT OR MAINTENANCE OPERATION.

* FOR INFORMATION ONLY. CONTRACTOR MAY AT HIS OPTION DEVIATE FROM THESE PROCESS DETAILS.

SWE APPROVAL
SYM PR10048-B

REVISIONS			
SYM	DESCRIPTION	DATE	APPROVAL
A ₂	A ₁ ADDED THK. TO VIEW A ₂ 5052 WAS 525	27 OCT 59	42428 PC- 59-A1-51 REV'D PME



ALUMINUM ALLOY 5052 TEMPER 0, PER SPEC QQ-A-318. .032 THICK.

FINISH: E513 PER SPEC MIL-F-14072

NOTES:
1. PART MUST BE FREE OF ALL BUBBLES.

COLLINS PART NO.	ITEM	QTY	PART NO.	DESCRIPTION	MATL.	ATL. SPEC.
LIST OF MATERIAL						
COLLINS PART NO. 558 0374 002						

COLLINS NO.	QTY	NEXT ASSY	USED ON
558 0304 002	1	SM-B-249024	SG-DL-248775

DRAWN ECS
CHECKED *Alm*
APPROVED

UNLESS OTHERWISE SPECIFIED:
DECIMAL DIMENSIONS INCLUDING HOLE SIZES MAY VARY ±.008
FRACTIONAL DIMENSIONS INCLUDING HOLE SIZES MAY VARY ±1/64
MACHINED ANGLES MAY VARY ±1°
SHEARED ANGLES MAY VARY ±.25°
BROKEN ANGLES MAY VARY ±1°
ECCENTRICITY BETWEEN ANY DIAMETERS ON THE SAME CENTERLINE SHALL NOT EXCEED .010 TOTAL INDICATOR READING.
ALL DIMENSIONS ARE FINISH DIMENSIONS INCLUDING APPLIED FINISH AND ARE GIVEN IN INCHES.

COLLINS-RADIO CO.
DESAR-RAPES-IOWA
14214-PH-51-93

SIGNAL CORPS
REVIEWED PME
APPROVED HLY
PME

DATE 16 DEC 55 SCALE 1/1

DEPARTMENT OF THE ARMY
SIGNAL CORPS ENGINEERING
LABORATORIES

FORT MONMOUTH NEW JERSEY

SM-B-249024

WHEN REFERRING TO THIS DRAWING STATE DRAWING NO., APPLICABLE ISSUE SYMBOL, IF ANY, AND DATE